



Built-in MWO-H20L Control Panel and Door Panel Engineering Update

1. Update background

Regarding the customer complaints on markets, for the built-in microwave oven, there was issue of height inconsistency (see below picture), which has caused many after-sales cases for our customer, therefore, our engineer team developed the adjustment plan for this issue, The main changes locates in control panel and door panel.



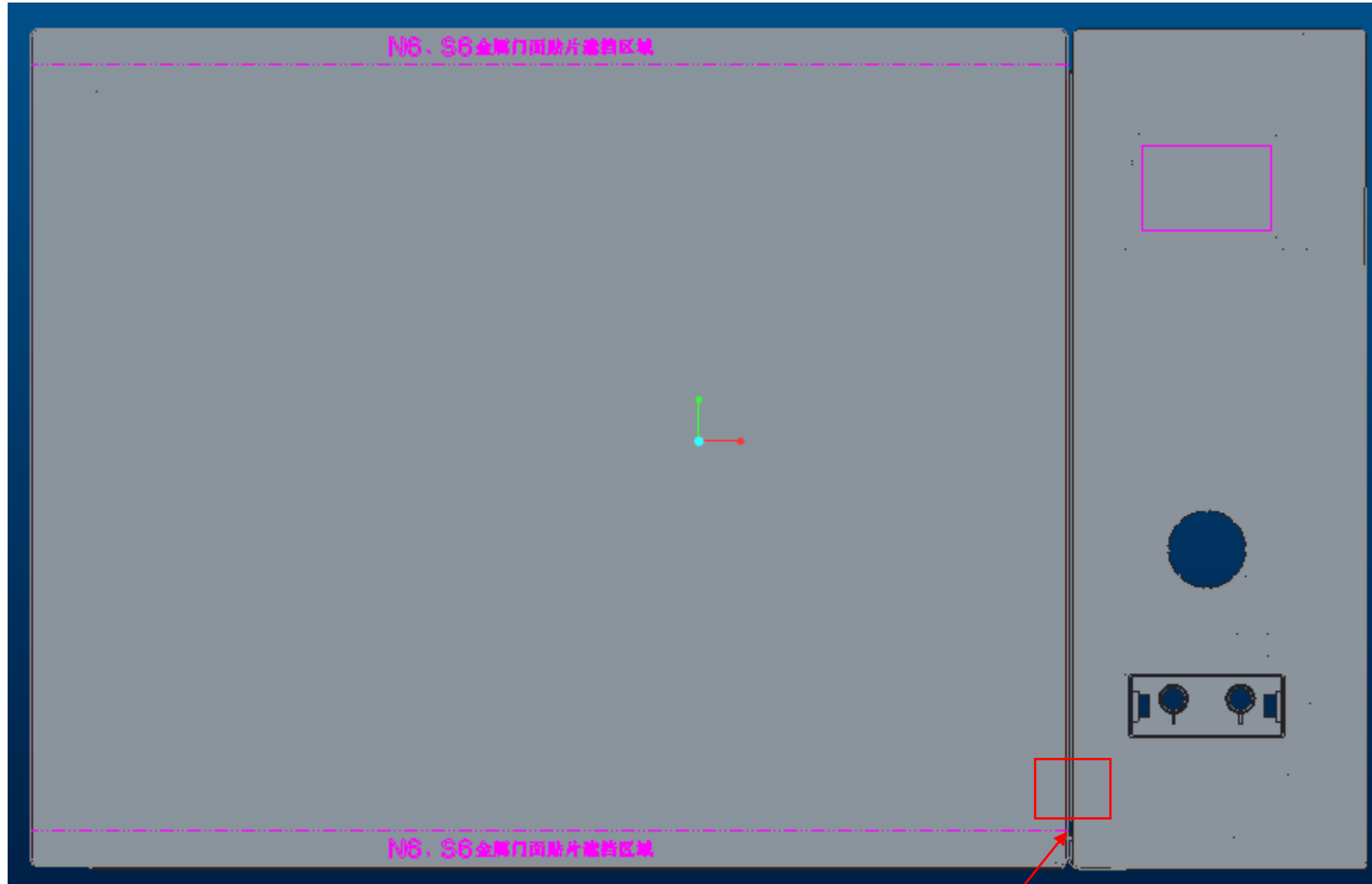
2. Elon Model Regarding



- CMI4208V
- CMI5208X
- CMI4208S

PO	Model	Shipment date
142163	CMI4208V	2022/12/23
143801	CMI4208V	2023/1/12
143801	CMI4208S	2023/1/12

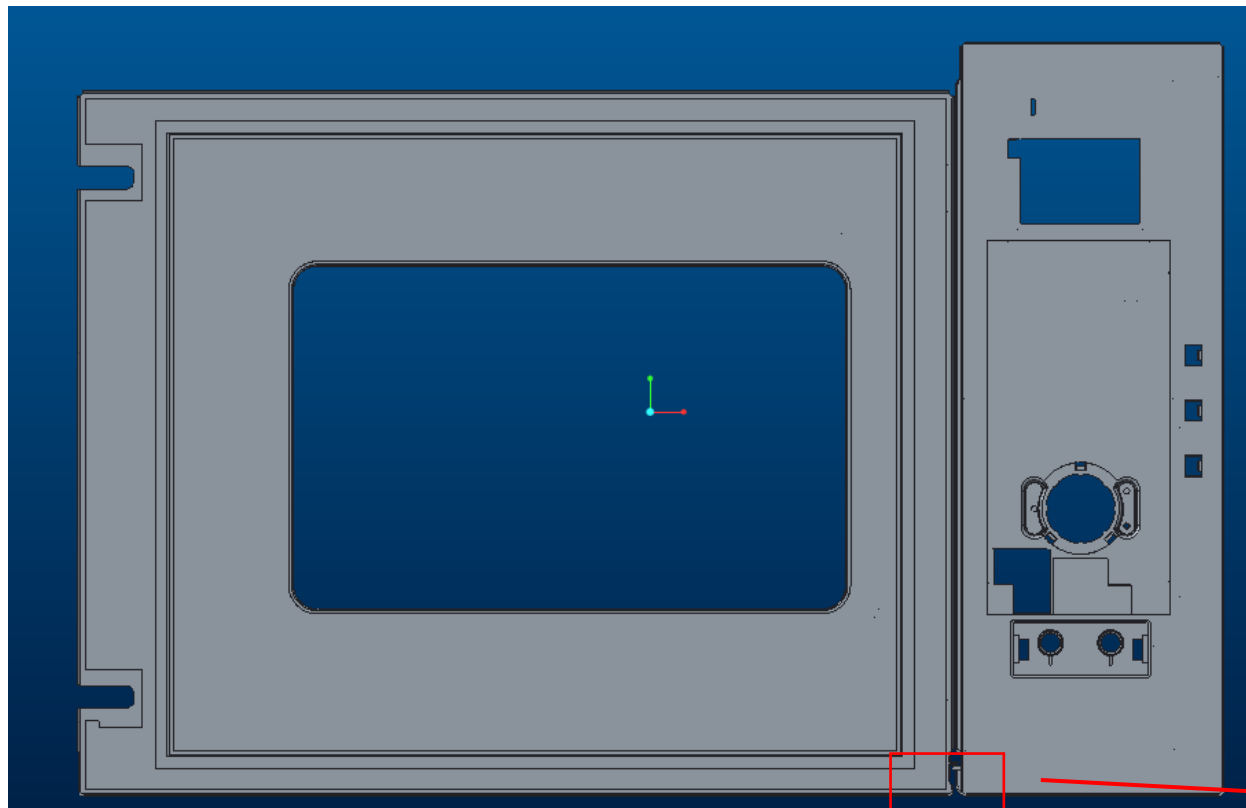
3. Detailed design



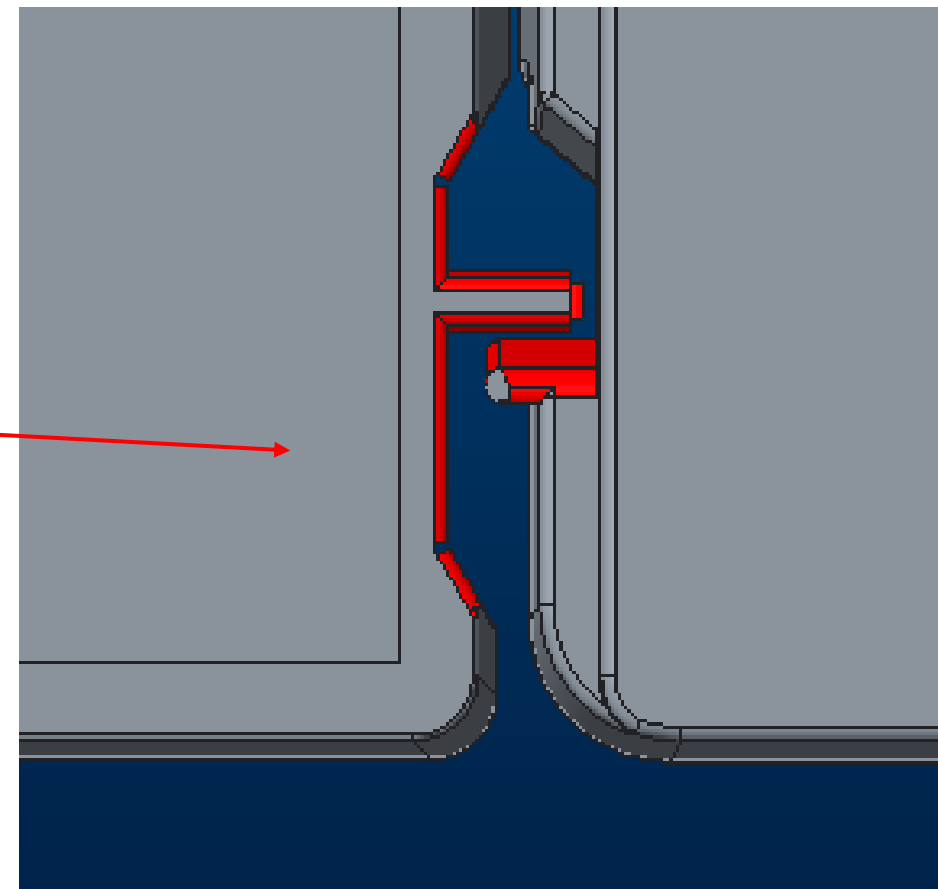
The front view

Changing area of control & door panel (one the side of the panel, nearly invisible when door is closed)

3. Detailed design

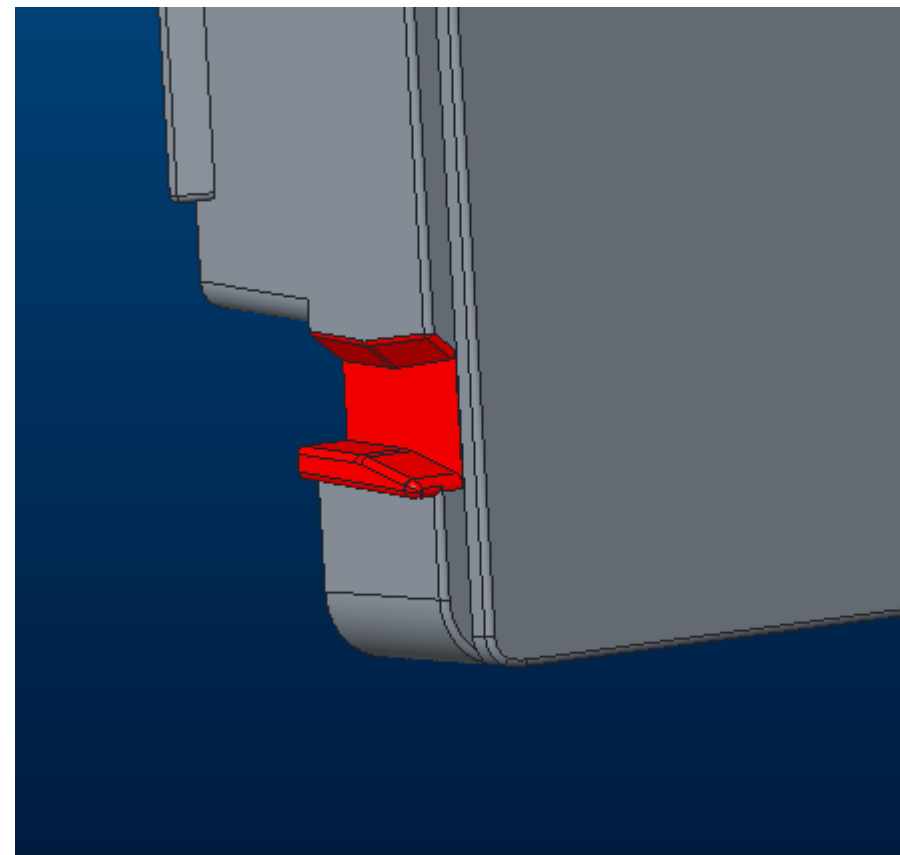
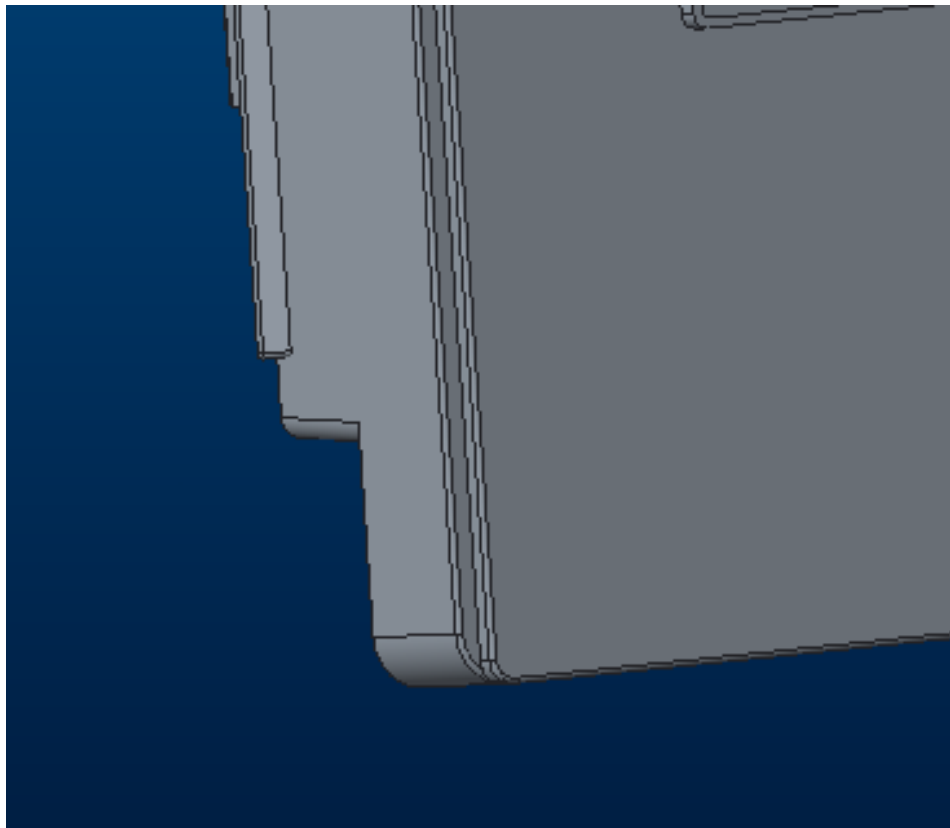


View without door & control panel glass (front)



3. Detailed design

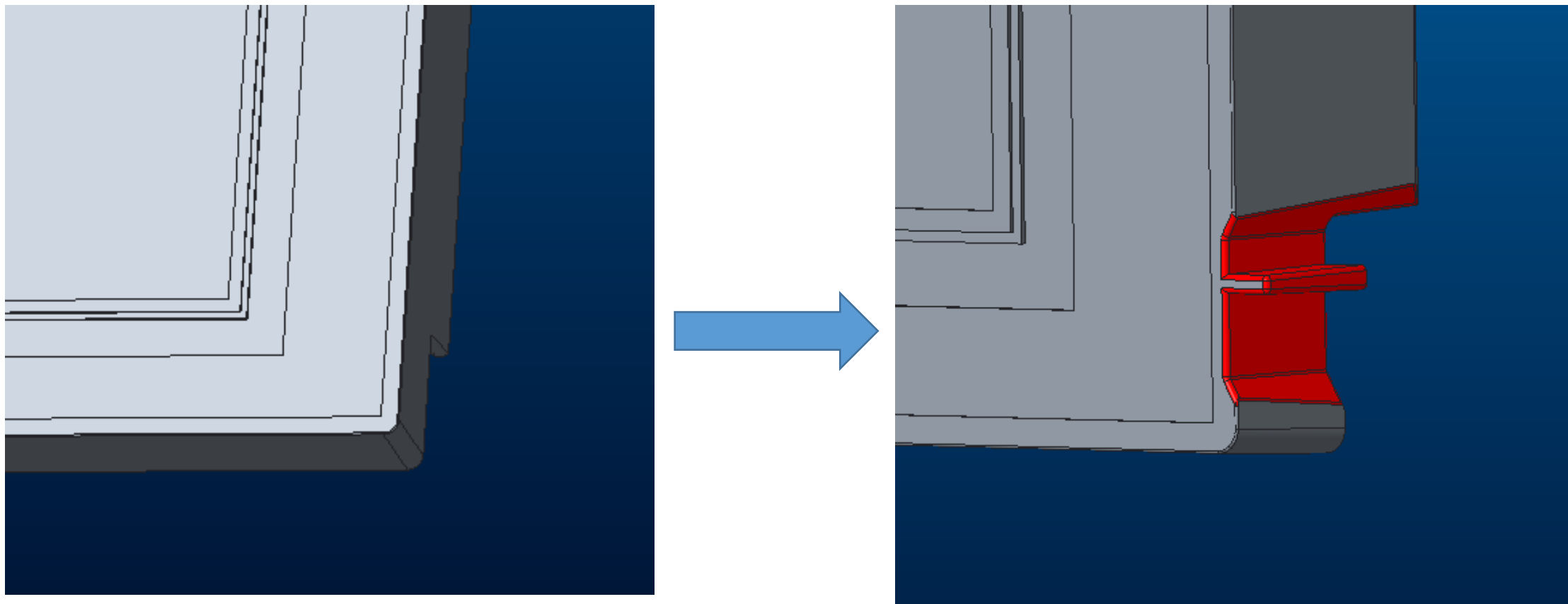
control panel



Add guide groove at the lower left corner

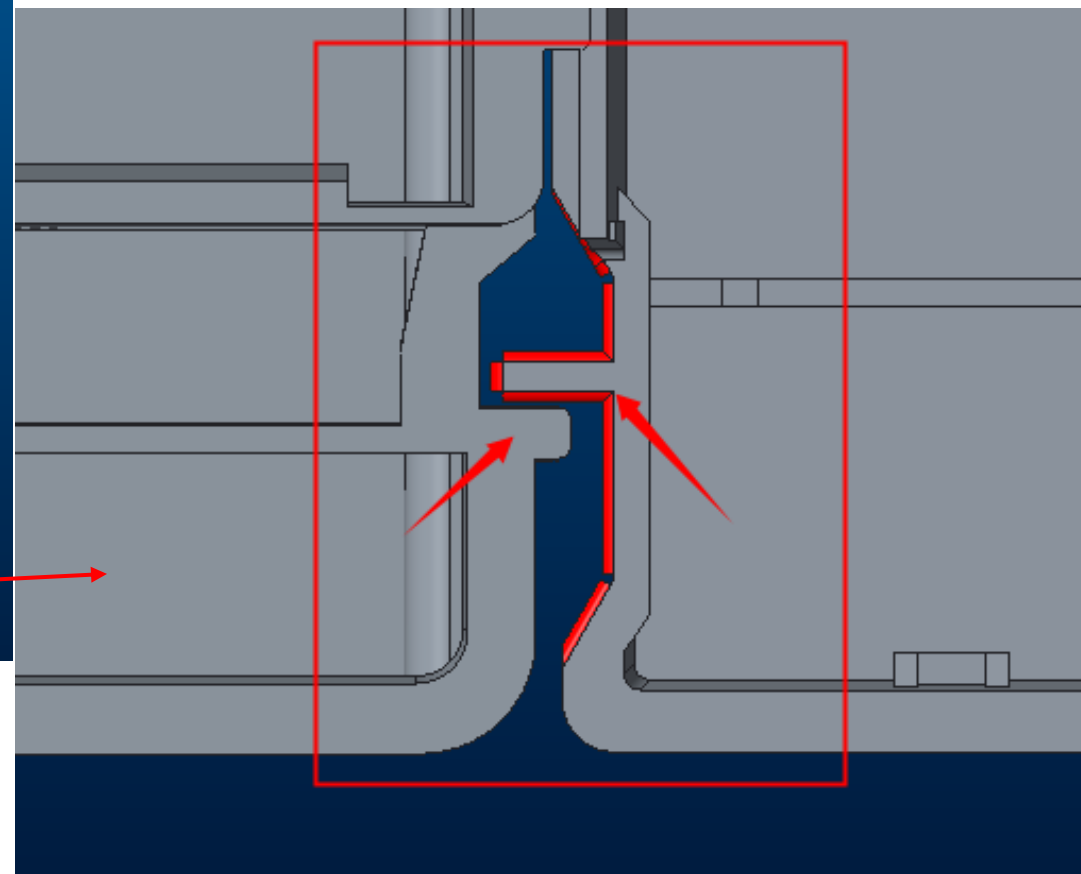
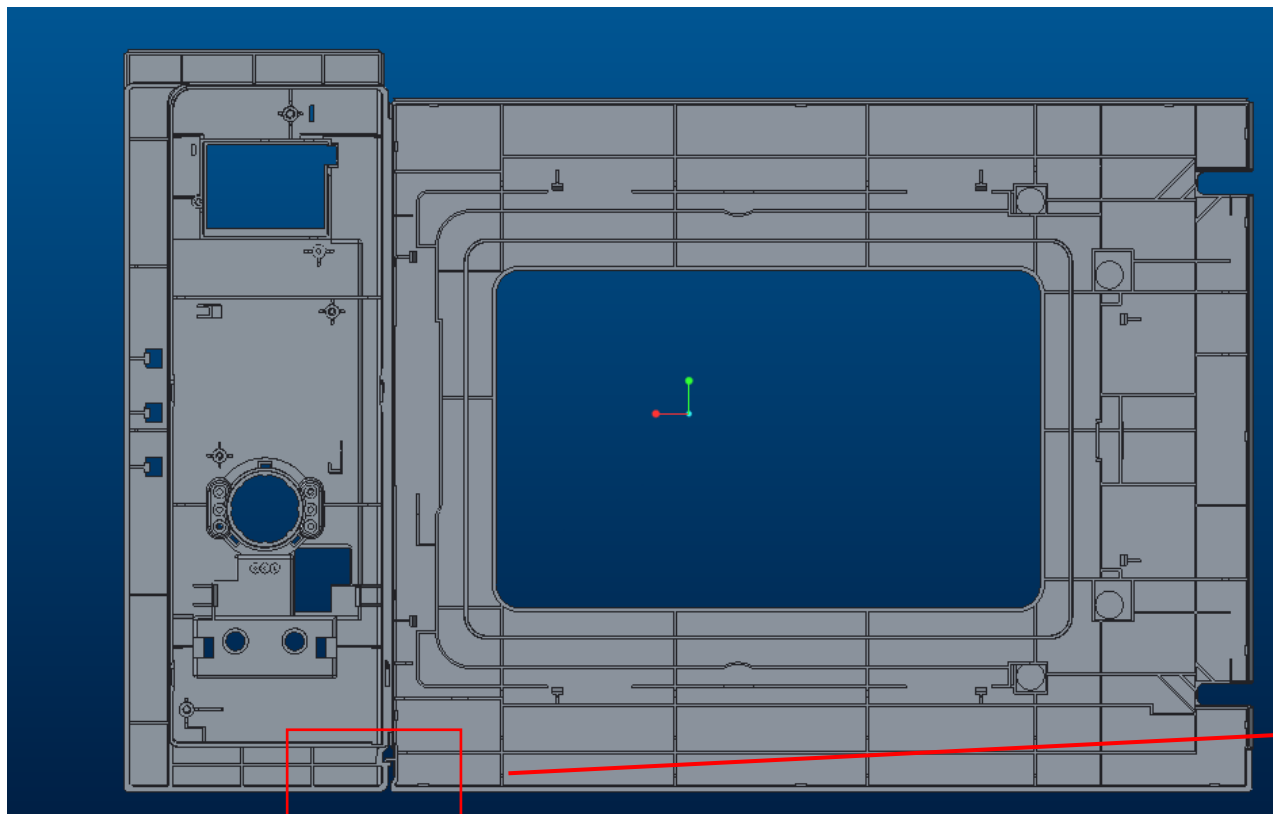
3. Detailed design

door panel



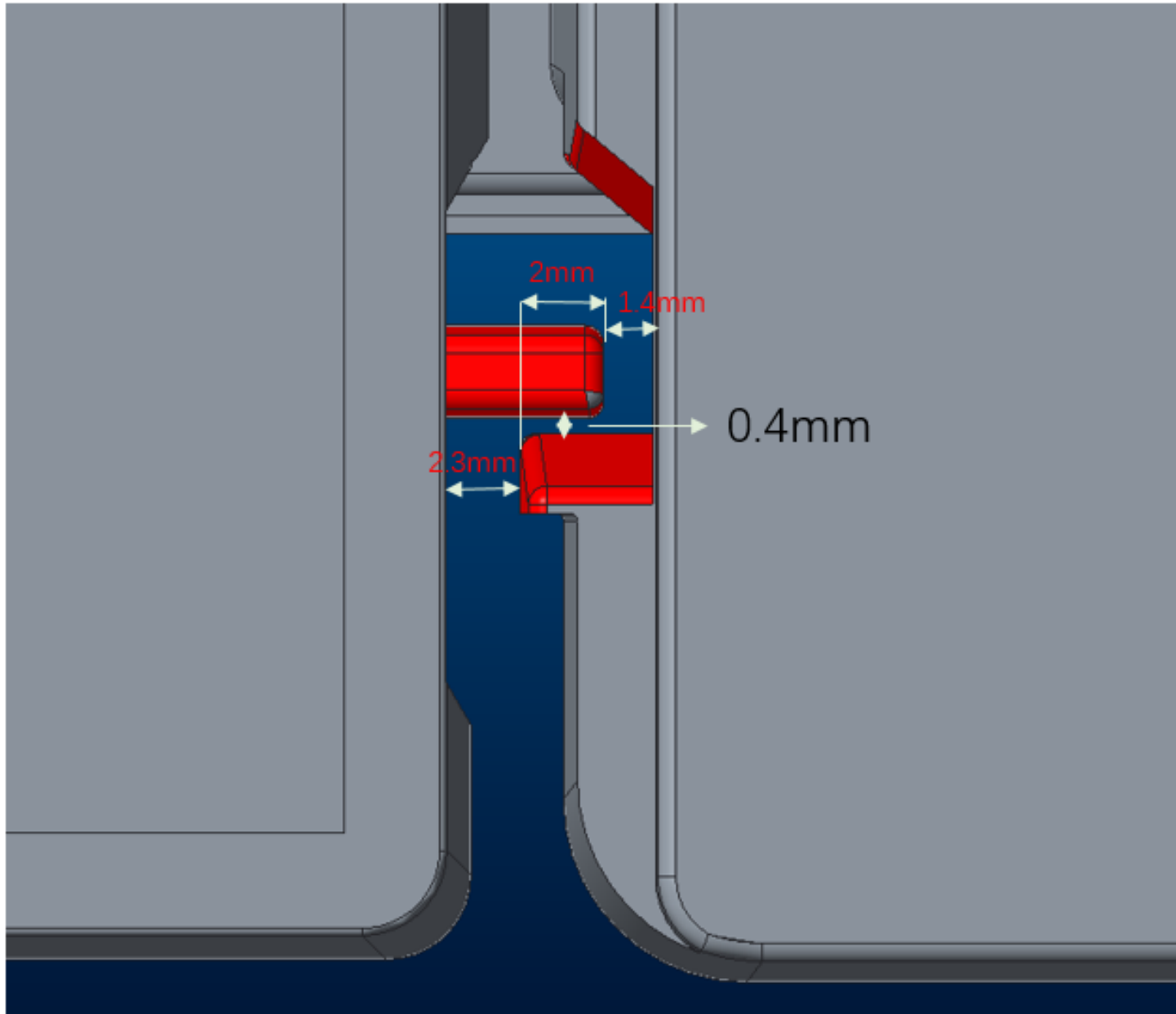
Add guide groove at the lower right corner

3. Detailed design



Control & Door panel assembly (backsight)

3. Detailed design

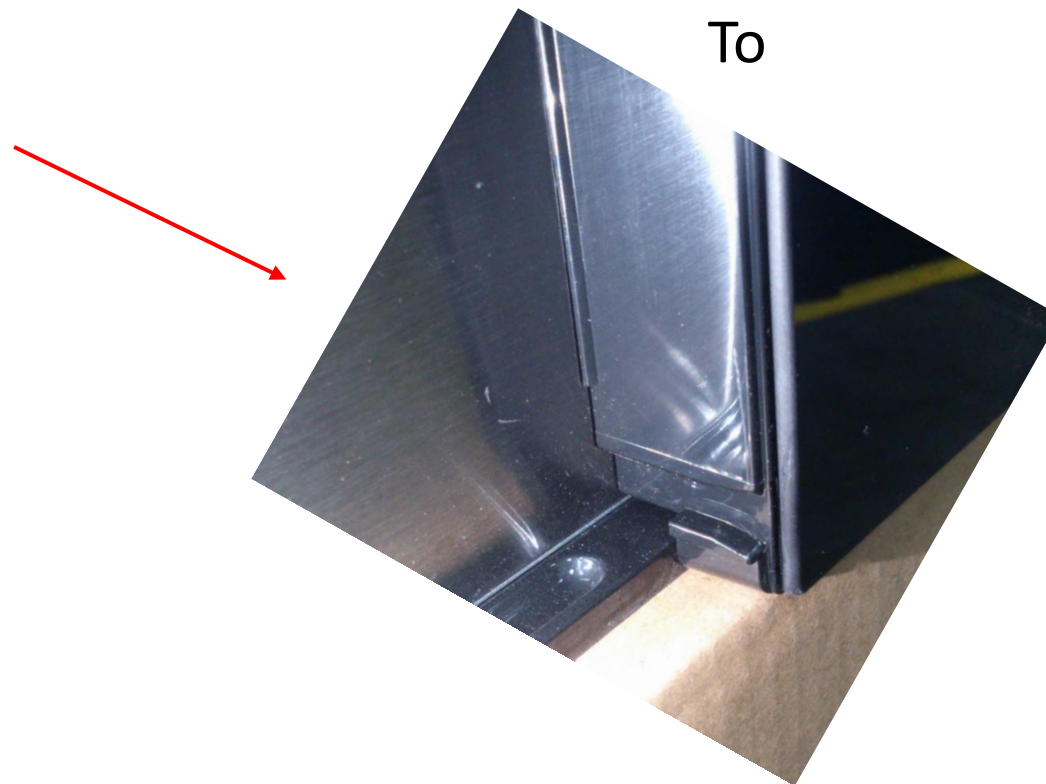


3. Detailed design

From



To



3. Detailed design

From



To

